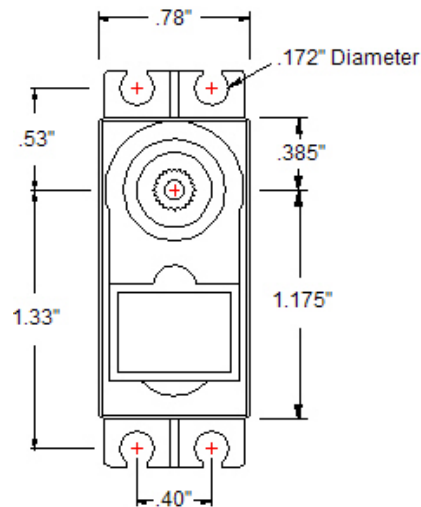
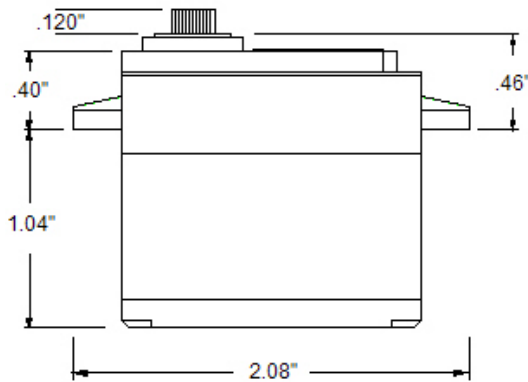
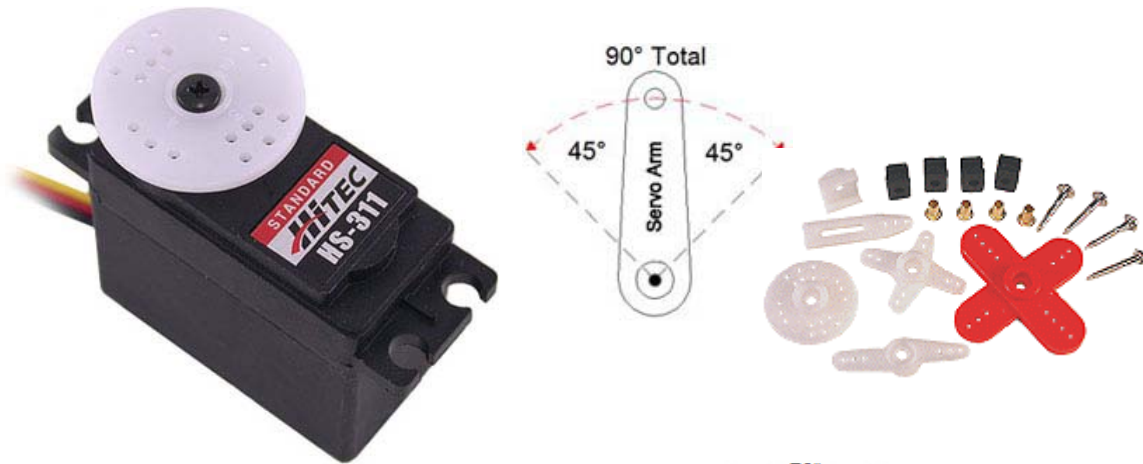


Servo Specifications



Specifications

Control System: +Pulse Width Control 1500usec Neutral

Required Pulse: 3-5 Volt Peak to Peak Square Wave

Operating Voltage: 4.8-6.0 Volts

Operating Temperature Range: -20 to +60 Degree C

Operating Speed (4.8V): 0.19sec/60° at no load

Operating Speed (6.0V): 0.15sec/60° at no load

Stall Torque (4.8V): 42 oz/in (3.0 kg/cm)

Stall Torque (6.0V): 49 oz/in (4.5 kg/cm)

Current Drain (4.8V): 7.4mA/idle, 160mA no load operating

Current Drain (6.0V): 7.7mA/idle, 180mA no load operating

Dead Band Width: 5usec

Operating Angle: 40° one side pulse traveling 400usec

Direction: Clockwise/Pulse Traveling 1500 to 1900usec

Motor Type: Cored Metal Brush

Potentiometer Drive: 4 Slider/Direct Drive

Bearing Type: Top/Resin Bushing

Gear Type: Nylon

360 Modifiable: Yes

Connector Wire Length: 11.81" (300mm)

Weight: 1.52oz (43g)